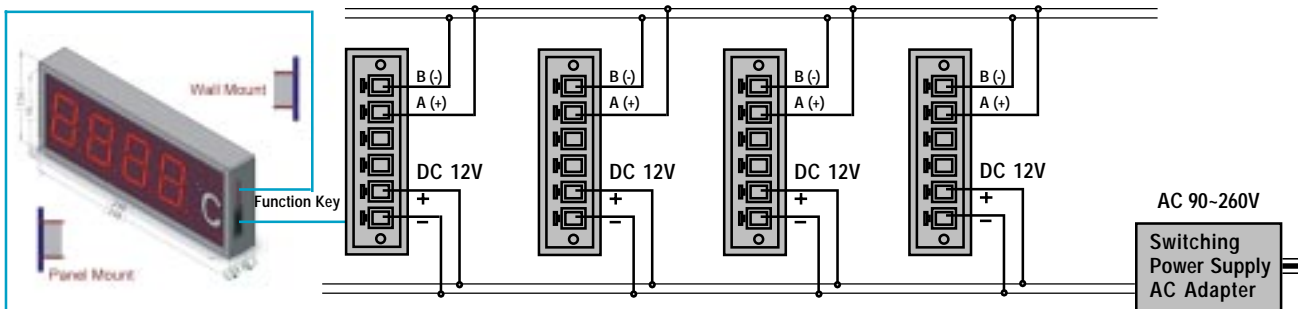
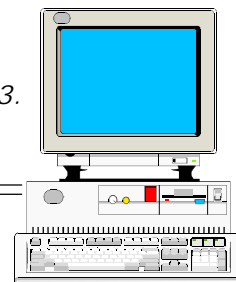


Structure of the Data Strings : Stx(Hex 00--FE) Data(ASCII 0-9; A-Z) Etx(Hex 0D)

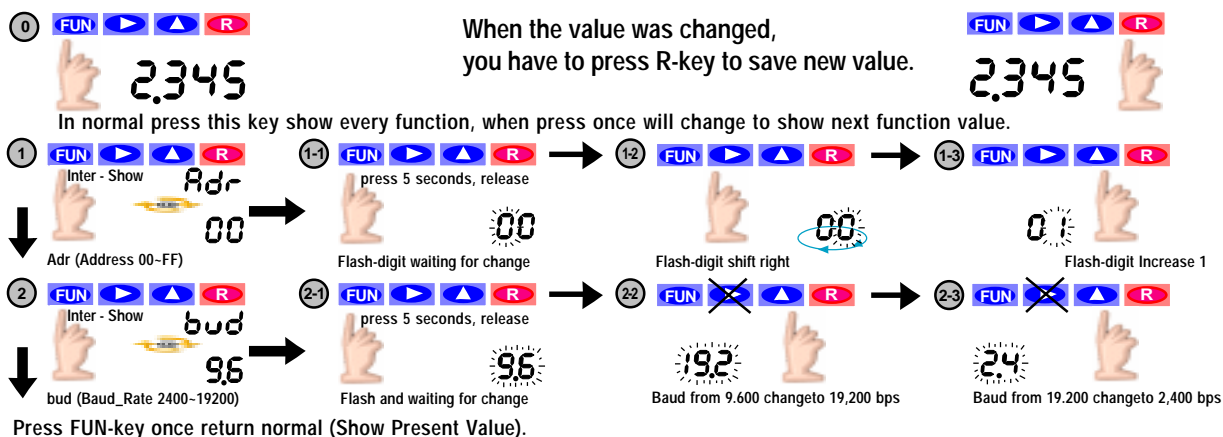
Example: String (Hex) = 01 41 32 2D 33 2E 34 0D Show A2-3.4 (01=Stx(Address); 0D=Etx)

\* If Display Address = FF(Hex); then Data string do not need Stx., Exxample: 41 32 2D 33 Show A2-3.

\* If Data String Stx = FF(Hex), then every Display will be show this string at the same time.



- FUN** Press this key for show every function's value,(Adr/bud).  
Press this key and hold more than 5 seconds then release the key, Into function preset, In Adr (Address) or bud (Baud\_Rate).
- ▶** Press this key for shift right of flash-digit (which one you can change data), In function preset active.
- ▲** Press this key for increase 1 of flash-digit (which one you can change data), In function preset active.
- R** Press this key to quit from for function browse.  
In function preset active, Press this key to save new setting value.



Data Code of Numeric and Alphabet

Numeric 0 - 9 (Hex 30-39)	0	1	2	3	4	5	6	7	8	9			
Alphabet A ~ M (Hex 41-4D)	A	B	C	D	E	F	G	H	I	J	K	L	M
Alphabet N ~ Z (Hex 4E-5A)	N	O	P	Q	R	S	T	U	V	W	X	Y	Z
Symbols (, , - , . Hex 28, 29, 2d, 2E)	(	,	-	.									