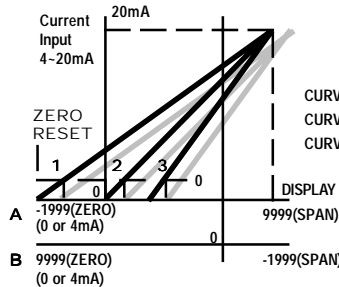
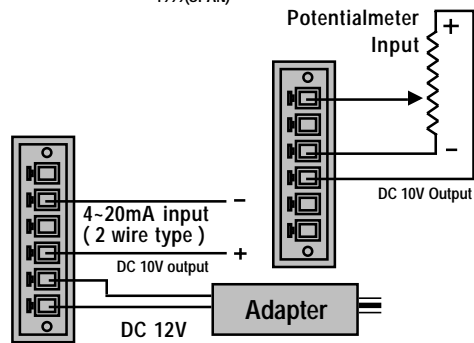
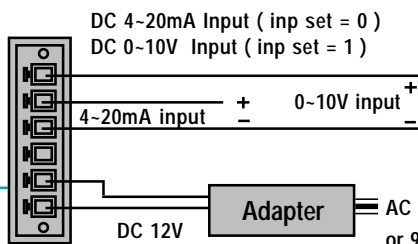
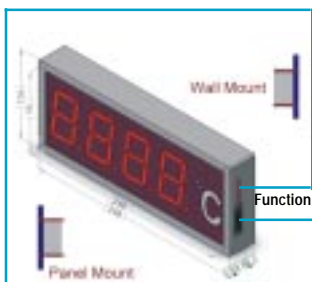


A - ZERO ~ SPAN Increase  
 CURVE-1: ZERO -, SPAN +;  
 CURVE-2: ZERO 0, SPAN +;  
 CURVE-3: ZERO +, SPAN +;  
 B - ZERO ~ SPAN Decrease



CURVE-1: ZERO -, SPAN +;  
 CURVE-2: ZERO 0, SPAN +;  
 CURVE-3: ZERO +, SPAN +.



- Press this key for show every function's value, (SPAN/ZERO/d.P/inP). Press this key and hold 3 seconds for preset function value, When the what's function you show.
- Press this key for shift right of flash-digit (which one you can change data), When you are in changing data function.
- Press this key for increase 1 of flash-digit (which one you can change data), When you are in changing data function.
- Press this key quit from for show every function's value. In normal (show present value), Press this key with FUN-key for 3 seconds to preset zero point (the data under this point will be show 0).

0 When the value was changed, you have to press R-key to save new value.

2.345

In normal press this key show every function, when press once will change to show next function value.

1 Inter - Show SPn  
 SPAN range (-1999-9999)

2-1 Flash-digit waiting for change 5.000  
 Flash-digit shift right 6.000  
 Flash-digit Increase 1

2 Inter - Show ZEO  
 ZERO range (-1999-9999)

2-1 Flash-digit waiting for change 00.00  
 Flash-digit shift right 10.00  
 Flash-digit Increase 1

3 Inter - Show dP  
 Decimal point set (0-3)

3-1 Flash-digit waiting for change 0003  
 Flash-digit shift right 002  
 Flash-digit shift right 0.1

4 Inter - Show inP  
 Input select (0 = 4-20mA; 1 = 0-10V)

4-1 Flash-digit waiting for change 0  
 Flash-digit shift right 0.1  
 Flash-digit shift right 0  
 "0" changed to "1"      "1" changed to "0"

5 Authorize = 1, you can change SPn; ZEO only.  
 Authorize = 2, you can change SPn; ZEO only.  
 Authorize = 3, you can change SPn; ZEO; d.P only.  
 Authorize = 4, you can change SPn; ZEO; d.P ; inP only.  
 Authorize = 5, you can change SPn; ZEO; d.P; inP, Aut .  
 If Authorize = 0; you will can not change any function.  
 But you can press key and key for 3 econds to set value on 555,  
 Then you can change every function and change "Authorize = ?" for the operator.

Press FUN-key once return normal (Show Present Value).